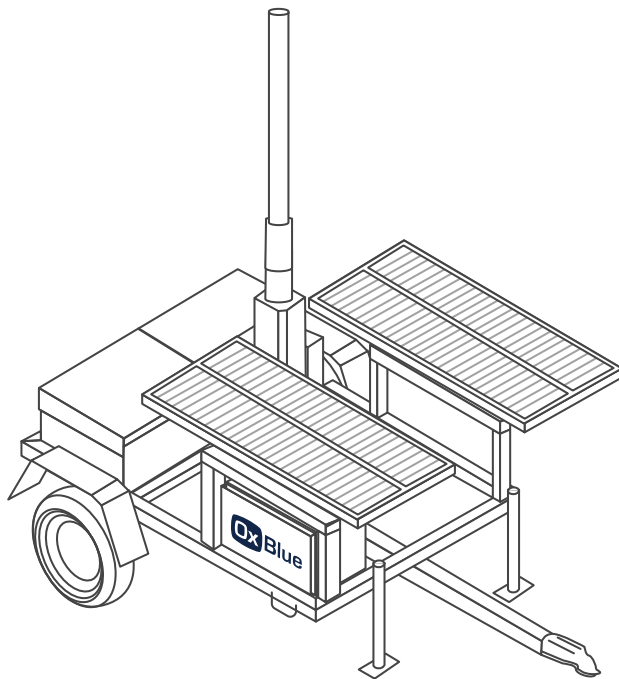


SOLAR TRAILER



Ensure that your camera is always monitoring your project even in the remotest areas of the job site with OxBlue's portable solar trailer. The unit is easy to relocate and provides you with energy independence.

Actual panel specifications vary depending on type of camera and jobsite location.

COMPONENT	SPECIFICATION
Solar Trailer Dimensions	11.50' L (3.50 m)
	6.00' W (1.80 m)
	6.67' H (2.03 m)
Solar Panel Dimensions	54.00" L (40.64 cm)
	26.00" W (66.04 cm)
	2.00" H (3.81 cm)
Mast Height	Up to 30 ft (9.19 m)
Weight	1400 lb (635.03 kg)
Construction	Frame: Steel with two-coat automotive paint Lockable cabinet: Weatherproof aluminum