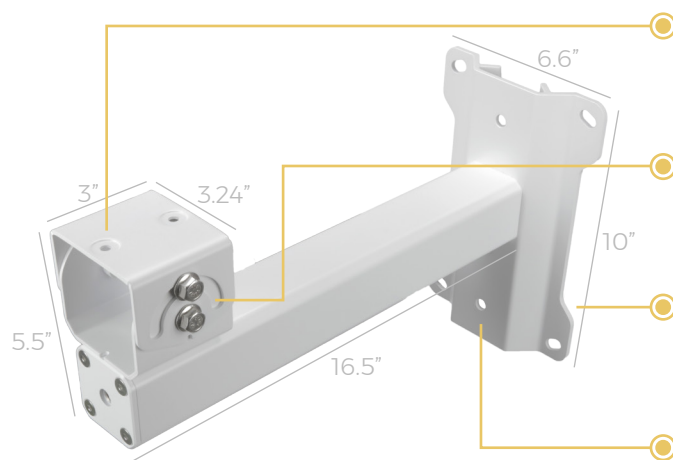


UNIVERSAL MOUNT

The universal mount provides you with flexibility when installing a camera on the job site by easily adjusting to fit any wall, parapet, or pole fixtures. The adaptable mount's straightforward installation process allows for anyone to place, reposition, or remove the camera at the end of the project.



- Compatible with all 2-hole mounting cameras
- Manually adjust swivel head and mounting orientation
- Durable aluminum construction with powder coat finish
- Mounts on vertical pole or wall and horizontal pole, parapet, or flat surface

COMPONENT	SPECIFICATION
Dimensions	16.50" L (41.91 cm)
	6.60" W (16.76 cm)
	10.00" H (25.40 cm)
Weight	4.5 lb (2.04 kg)
Hardware	Wall/pole mounting straps: included Parapet bolts: not included
Weight Limit	Supports up to 40 lb (18.14 kg)
Operating Environment	Indoor or outdoor use