

# CAMERA INSTALLATION GUIDE



INDIGO  
SERIES

**OxBlue**<sup>®</sup>

part of Hexagon

## WE'RE HERE TO HELP

---

Your Client Support Manager will be the primary contact for technical support. The team is available at **+44 (20) 45186562** (Monday-Friday 9am-5pm).

**OXBLUE CLIENT SUPPORT**

+44 (20) 45186562 - Office

# COMPLETE THESE STEPS BEFORE INSTALLATION

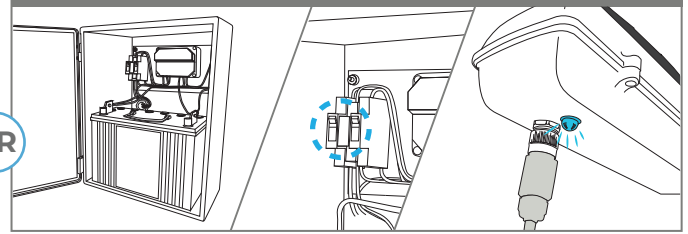
## 1 CONNECT TO POWER

### 230 VOLT



Verify the blue light on the bottom of the camera is on.

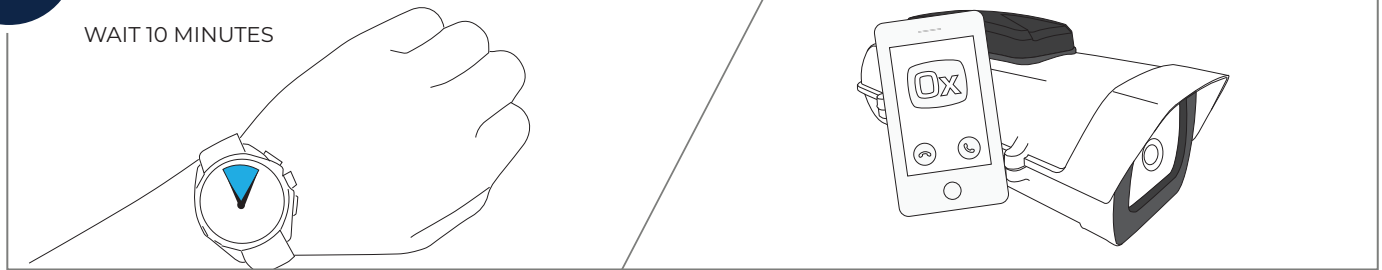
### SOLAR



Hook up battery & connect camera to cabinet. Turn the breakers on. Verify the blue light on the bottom of the camera is on.

## 2 ACTIVATE CAMERA

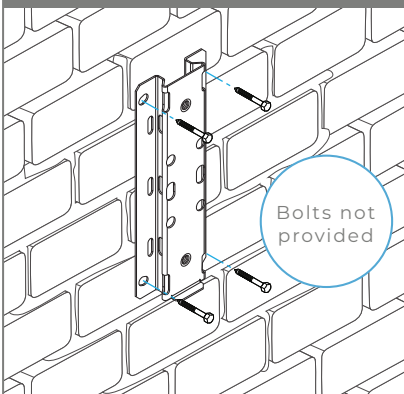
WAIT 10 MINUTES



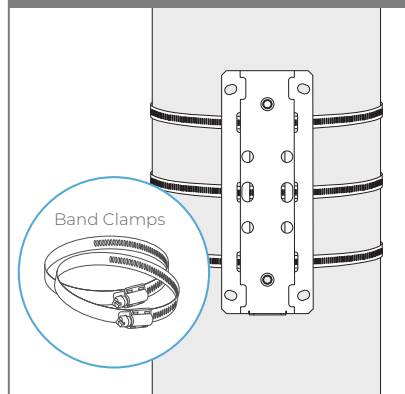
Call +44 (20) 45186562 (M-F 9-5) to confirm image transmission and activation. Have your camera ID located on the front cover ready.

## 3 MOUNT BRACKET

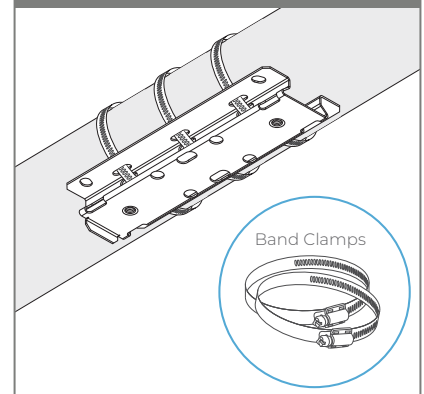
### WALL MOUNT



### POLE MOUNT



### CEILING MOUNT

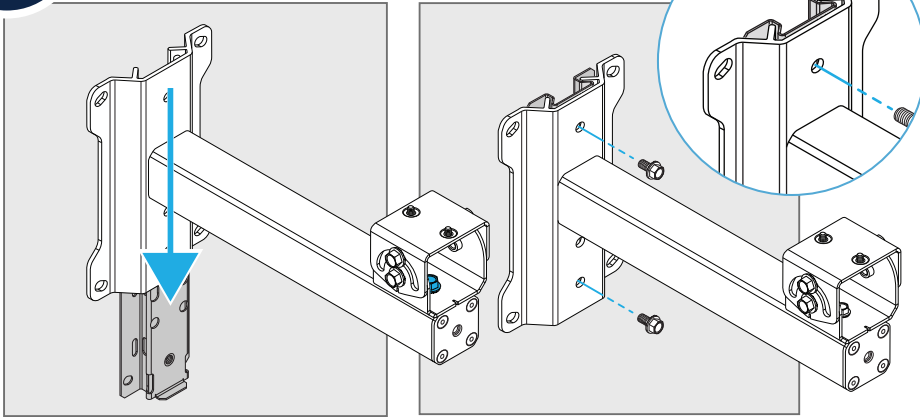


Install quick connect bracket to your preferred mounting substrate. The Indigo Series camera is meant for indoor use.

*It is the contractor's responsibility to meet all code requirements, and to obtain any and all permits necessary.*

# 4

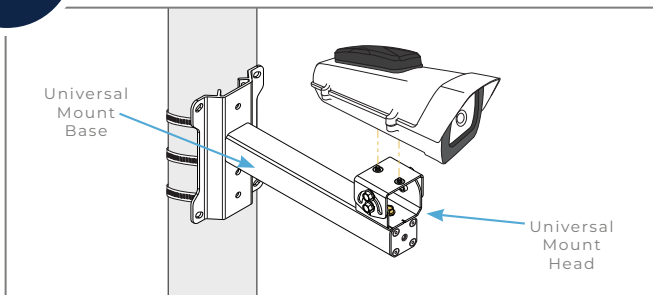
## SECURE MOUNT



Slide universal mount base onto quick connect bracket and secure using the two bolts on the mount.

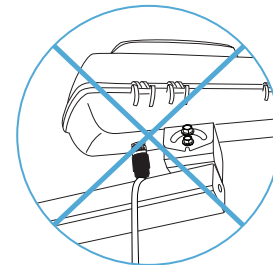
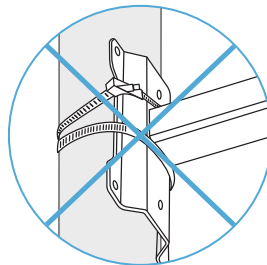
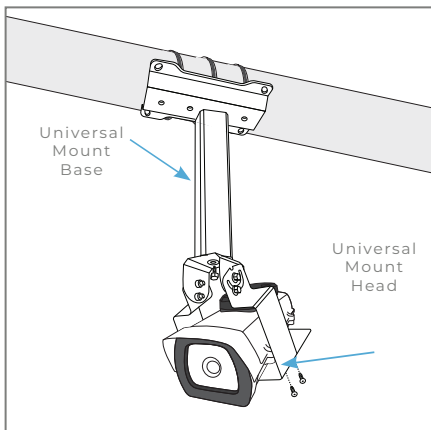
# 5

## ATTACH CAMERA TO MOUNT



Attach camera to mount head using the screws on the base of your camera.

- Adjust camera direction by rotating the mount head at the end of the universal mount base; Tighten bolt to hold position.
- Adjust camera angle by loosening the four bolts on the sides of the mount head and pivot along channel tracks; Tighten bolts to position.
- Make sure the power cable isn't tweaked against the universal mount. If stained - point the mount in a different direction and adjust the camera angle.



### ATTENTION

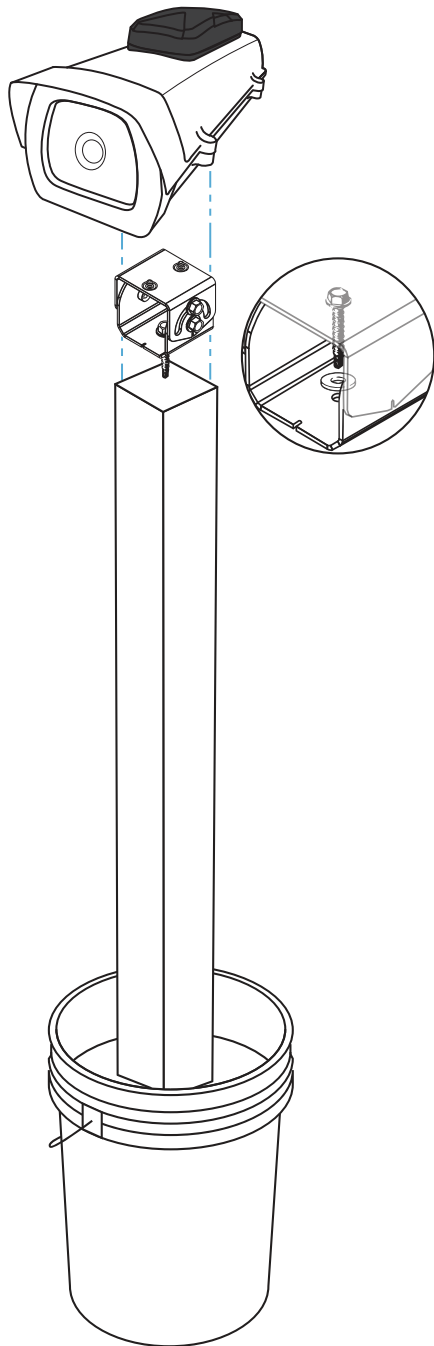
SAVE BOX & FOAM FOR CAMERA  
RETURN AT END OF PROJECT  
RETURN LABEL INCLUDED

### INSTALLATION TIPS

- The Indigo Series is for interior use.
- Ensure your camera is level.
- The camera has a field of view up to 170°.
- Place the camera outside of the construction area to capture maximum activity.
- Ideal area to mount a camera is in a corner.

# INTERIOR POST MOUNT

Build your own portable interior camera mount for less than £15 and ensure that you're always capturing the best view of your job site.



## MATERIALS PROVIDED

1	Interior Post Mount
1	Washer
1	Lag Screw

## MATERIALS NEEDED

1	20 kg Quick Concrete
1	19 L Plastic Bucket
1	1.21 m x 1.21 m x 1.82 m Wooden Post

- 1** Empty quick-setting concrete into a 25 litre bucket and mix by following the concrete's instructions.
- 2** Position a wooden post in the centre of the concrete bucket.
- 3** Allow concrete to set.
- 4** Attach the interior mount to the post using the washer and lag screw provided.
- 5** Attach the camera to the mount and confirm position with Client Support.