

UNIVERSAL MOUNT

The universal mount provides you with flexibility when installing a camera on the job site by easily adjusting to fit any wall, parapet, or pole fixtures. The adaptable mount's straightforward installation process allows for anyone to place, reposition, or remove the camera at the end of the project.

SPECIFICATIONS

Compatibility



Operating Environment

Indoor & outdoor use

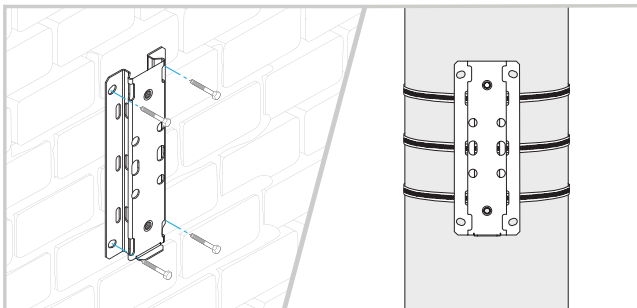
Hardware

Mounting bracket (1 included); band clamps (3 included); mount bolts (3 included); camera bolts (2 included); parapet bolts (not included)

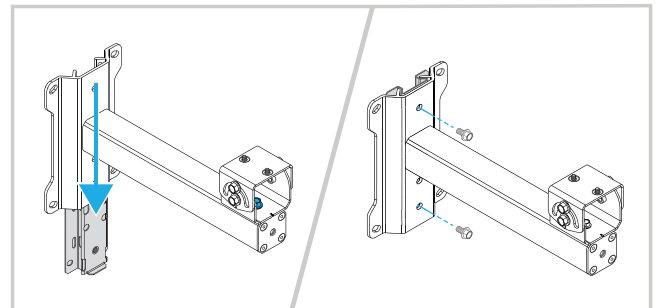
Power Supply

120 volt & solar power

INSTALLATION



- 1 Connect bracket to wall with parapet bolts (not provided); connect to pole with band clamps (provided).



- 2 Slide universal mount onto bracket and secure with bolts (provided).