

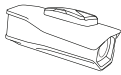
ULTRA PTZ MOUNT

View your job site in great detail with OxBlue construction time-lapse cameras that capture your entire project using preset angles that provide a panoramic, high resolution view of your jobsite.

SPECIFICATIONS

Compatibility

Cobalt



Operating Environment

Indoor & outdoor use

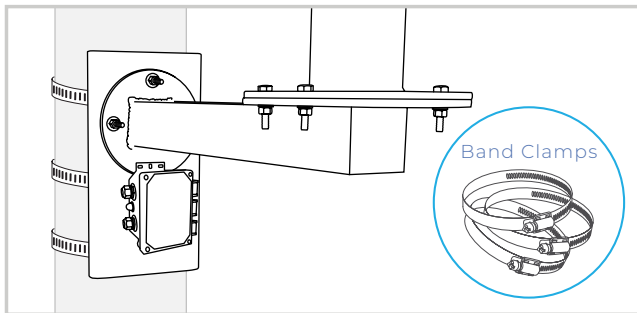
Hardware

Mounting arm (1 included); support strut (1 included); band clamps (6 included); pan-tilt-unit screws (4 included); set of bolt, nut, & washers (4 included); camera screw (2 included)

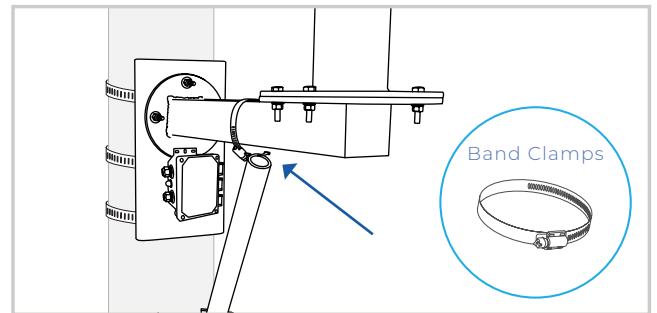
Power Supply

120 volt & solar power

INSTALLATION

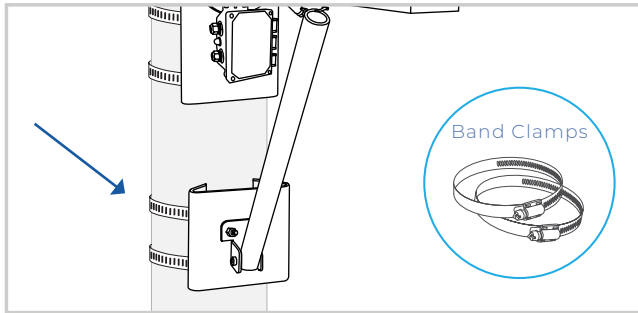


- 1 Attach the mounting arm to the pole using 3 band clamps (provided).

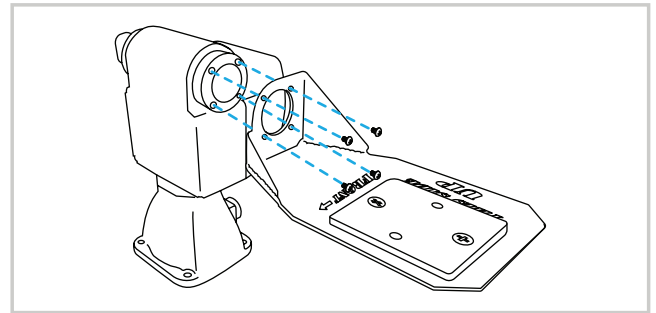


- 2 Attach the support strut to the mount arm with 1 band clamp (provided).

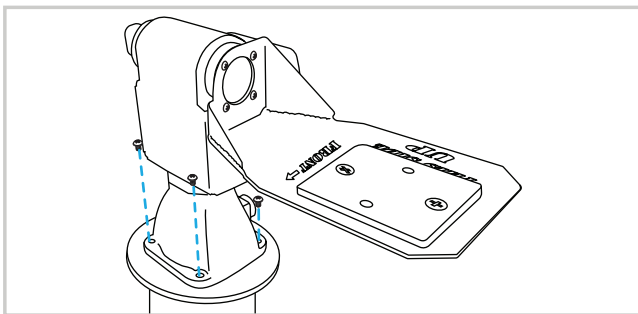
MOUNT INSTALLATION



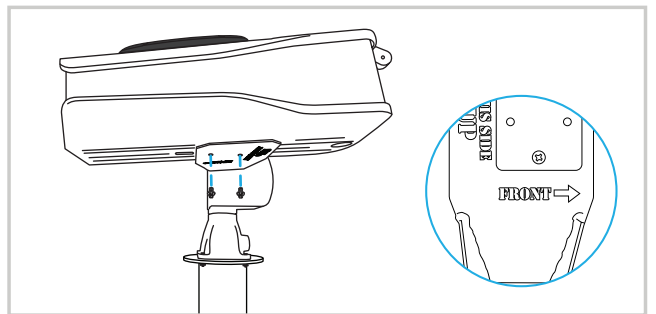
- 3** Attach the opposite end to the pole with 2 band clamps (provided). The support strut should be installed at a **45 degree angle**.



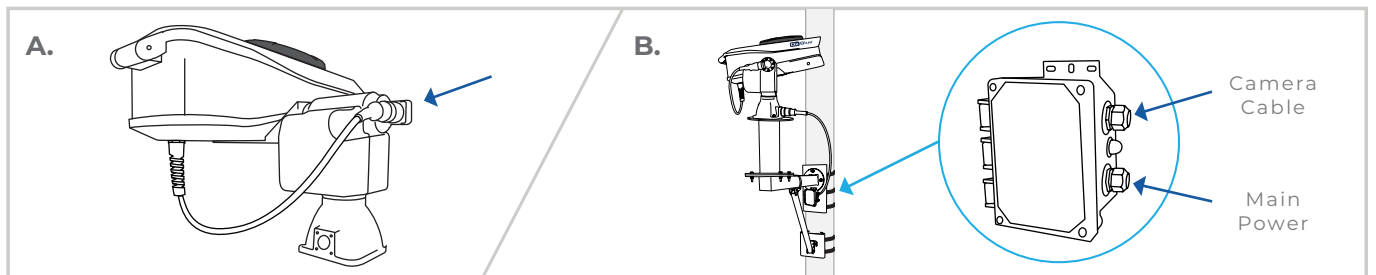
- 4** Attach the camera mounting plate to the Pan-Tilt-Unit with 4 screws.



- 5** Attach the Pan-Tilt Unit to the top of the pedestal mount using the 4 sets of nuts, bolts and washers.



- 6** Attach the camera to the mounting plate using the 2 screws located on the bottom of the camera. **Ensure the arrow on the plate and the camera are facing same direction.**



- 7** **A.** Attach the camera cable to the top connector of the Pan-Tilt Unit. **B.** Attach the Pan-Tilt Unit to the camera cable connector of the power box then attach the main power connector to the source of power, ensuring the cable is clear of being tangled. The blue light on the power box will come on and the PTU system will begin movement shortly after being powered on.