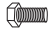










RIDGEMOUNT

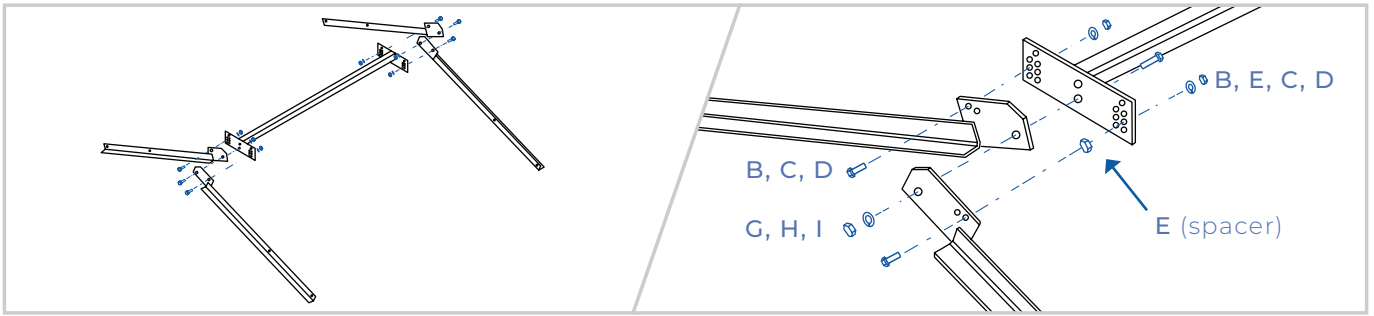
The ridgemount is a non-penetrating mount designed to provide a stable platform on a ridge or peaked roof.

SPECIFICATIONS

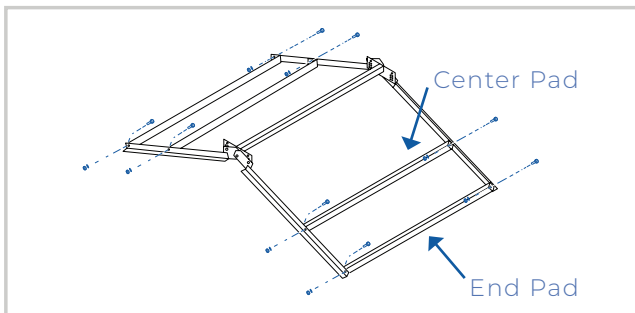
Compatibility	
Cobalt 	VPTZ Sapphire 
Static Sapphire 	Ultra PTZ 
Power Supply	
120 volt & solar power	
Operating Environment	
Outdoor use	

Hardware		
Cross arm (1), left arm (2), right arm (2), center pad 1"x1" (2), end pad 1 1/2"x1 1/2" (2), mast assembly (as required), rubber pad 16"x51" (2), rubber pad 8x51" (1), cinder blocks (not provided)		
A	3/8" x 1" bolt GR.5 (10)	
B	3/8" x 1 1/4" bolt GR.5 (2)	
C	3/8" lockwasher (12)	
D	3/8" nut (12)	
E	1/2" jam nut (2)	
F	1/2" x 1 1/4" bolt GR.5 (4)	
G	1/2" x 1 1/2" Bolt GR.5 (2)	
H	1/2" lockwasher (6)	
I	1/2" nut (6)	

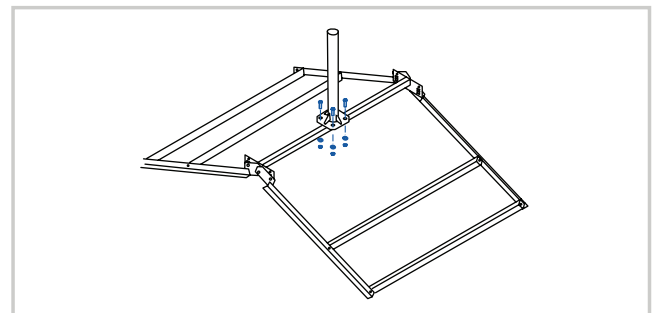
MOUNT INSTALLATION



- 1 Attach the right arm to the cross arm first using hardware **B, C, and D** shown on the hardware list. Then attach the left arm to the cross arm with hardware **B, E, C, and D** (hardware E is used as a spacer). Lastly, secure the left, right and cross arms with hardware **G, H, and I** shown on the hardware list.



- 2 Attach the center pads and end pads to the left and right arms with hardware **A, C, and D** shown on the hardware list.



- 3 Attach the mast to the cross arm with hardware **F, H, and I** shown on the hardware list.