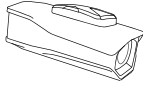
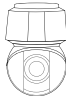
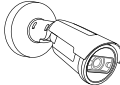








## CANTELIVER MOUNT

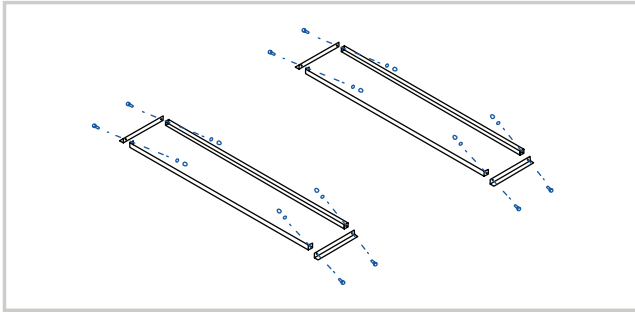
The canteliver mount is a heavy duty non-penetrating roof mount for ground and roof-top mounting. It's 60" cantilever arm mounts the camera over the building's parapet wall.

## SPECIFICATIONS

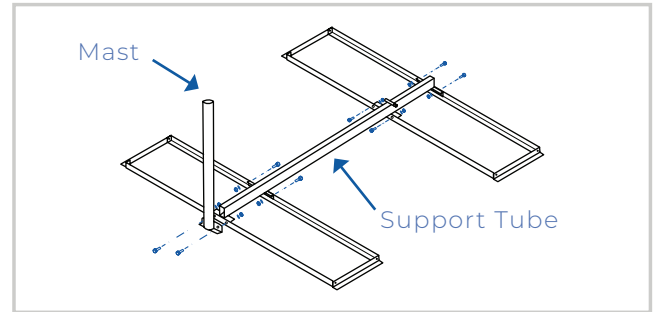
Compatibility	
Cobalt	
VPTZ Sapphire	
Static Sapphire	
Power Supply	
120 volt & solar power	
Operating Environment	
Outdoor use	

Hardware	
Support tube assembly (1), 6' ballast angle (4), 16" side pad (4), mast (1), rear brace (1), right side brace (1), left side brace (1), mast adaptor (1), camera arm with axis plate (1) camera mount (1), coupler (1), cinder blocks (not provided)	
A	3/8"x1" bolt GR.5 (18) 
B	3/8" x 4" thread bolt GR.5 (3) 
C	3/8" hex nut (19) 
D	3/8" lockwasher (19) 
E	3/8" whiz lock nut (2) 
F	3/8" uss flatwasher (2) 

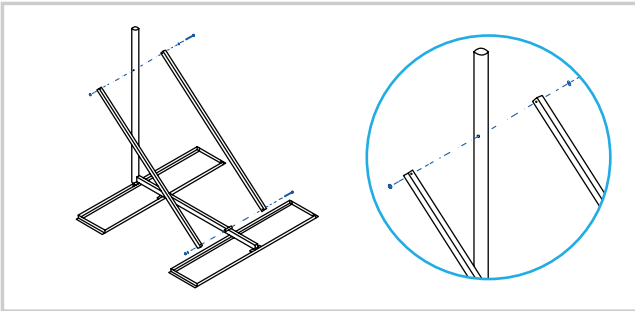
## MOUNT INSTALLATION



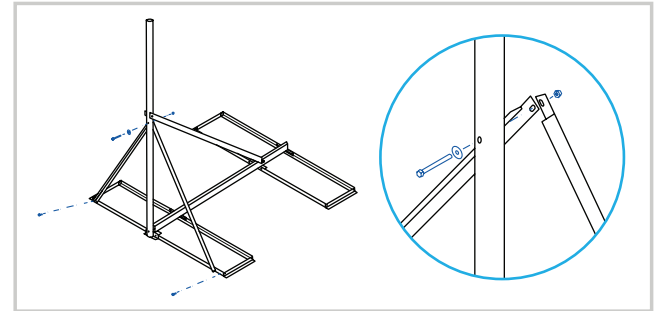
- 1** Assemble the two ballast trays using four sets of hardware **A, C, D** listed on page one.



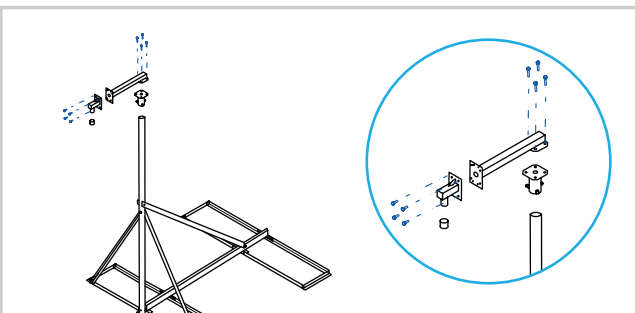
- 2** Attach the support tube and mast to the ballast trays using four sets of **A, C, D**. The mast is attached at the front end using the same sets of hardware.



- 3** Attach the side braces to the mast using hardware **B, E, and F**. Connect the other end of each side brace to the ballast tray using hardware **A, C, and D**.



- 4** Attach the rear braces to the mast using hardware **B, E, and F**. Attach the other end of each rear brace to the support tube using a **A, C, and D**.



- 5** Clamp the camera arm adapter sleeve to the mast with six set screws. The camera arm assembly will ship as an assembled sub assembly.