

## B4 NON-PENETRATING ROOF MOUNT

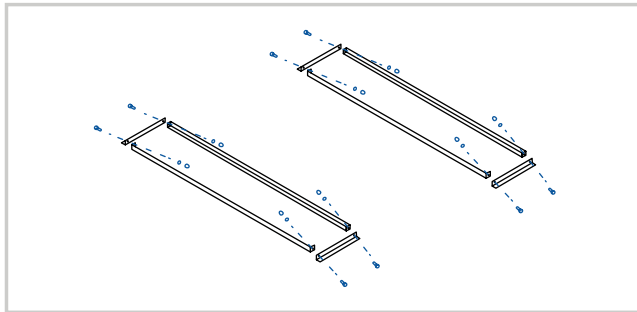
Modi sam eos et explam estini blaborestrum sitate voluptas quidipis milluptaerum quas mos ex exerfer naturi doluptia se quo officimus eaquae lit accatem ea nient as eles corunt idebisc iassum que volo

## SPECIFICATIONS

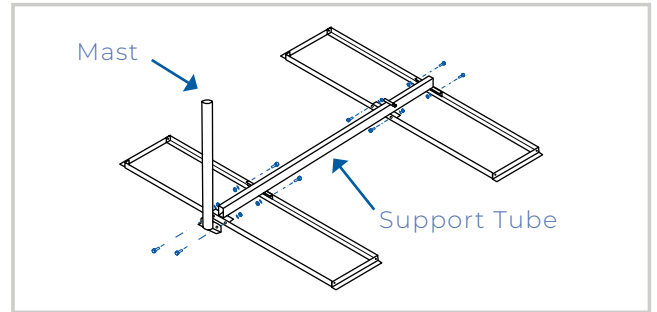
Compatibility	
Cobalt	VPTZ Sapphire
Static Sapphire	Ultra PTZ
Power Supply	
120 volt & solar power	
Operating Environment	
Outdoor use	

Hardware		
Support tube assembly (1), 6' ballast angle (4), 16" side pad (4), mast (1), long rear brace (1), right side brace (1), left side brace (1), brace clamp assembly (1), cinder blocks (not provided)		
A	3/8"x1" bolt GR.5 (20)	
B	3/8" x 4" tap bolt GR.5 (3)	
C	3/8" nut (19)	
D	3/8" split-lockwasher (20)	
E	3/8" whiz lock nut (3)	
F	3/8" uss flatwasher (2)	

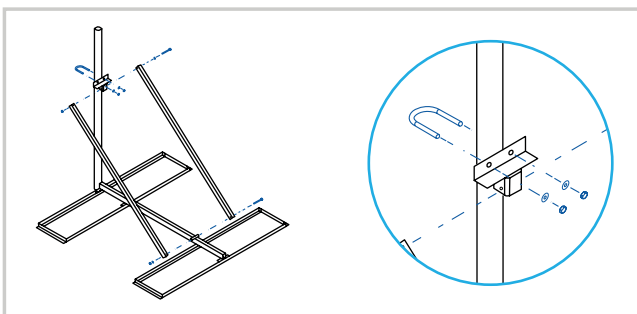
# INSTALLATION



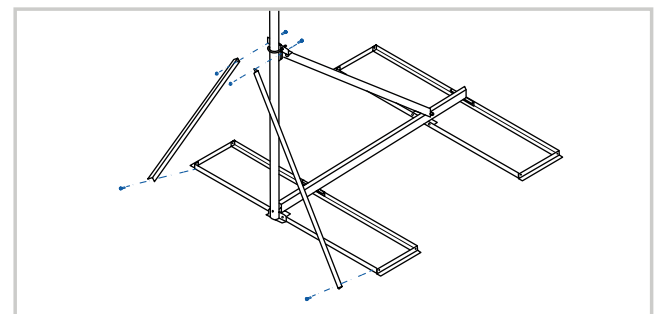
**1** Assemble the two ballast trays using hardware four A, C, D listed on page one.



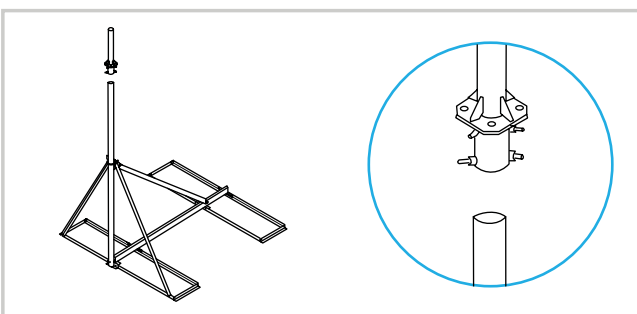
**2** Attach the support tube and mast to the ballast trays using four sets of A, C, D. The mast is attached at the front end using the same set of hardware.



**3** Attach the rear braces to the support tube using B, C, D. Loosely attach the rear braces to the clamp assembly using B, F, and C, then attach the clamp assembly to the mast.



**4** Attach the slotted ends of the side braces to the clamp assembly using A and E for each brace. attach the other end of each sidebrace to the ballast tray using a A, C, D.



**5** Slide the pre-assembled mast extension over the top of the mast and lock down using the six set screws. The screws act as a leveling mechanism as well.