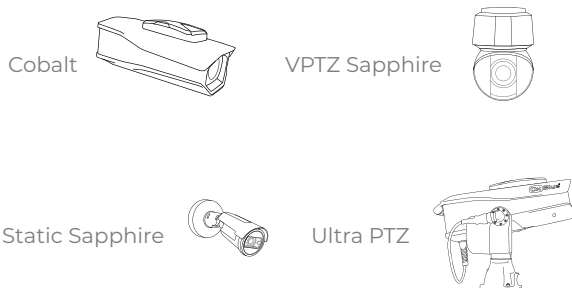


B3 NON-PENETRATING ROOF MOUNT

The B3 NPRM is a flexible and heavy duty non-penetrating roof mount for ground and roof-top mounting. This model has a footprint of 9.69 ft² and a mast height between 8ft and 10ft.

SPECIFICATIONS

Compatibility



Hardware

Frame assy (1), mast assy (1), LH brace angle (1), RH brace angle (1), rear brace angle (1), 3/8" x 4" tap bolt GR.5 (2), 3/8" USS flatwasher (2), 3/8" whiz lock nut (2), 3/8" x 1" bolt GR.5 (5), 3/8" Nut (5), 3/8" split-lockwasher (5), Cinder Blocks (10-not included)

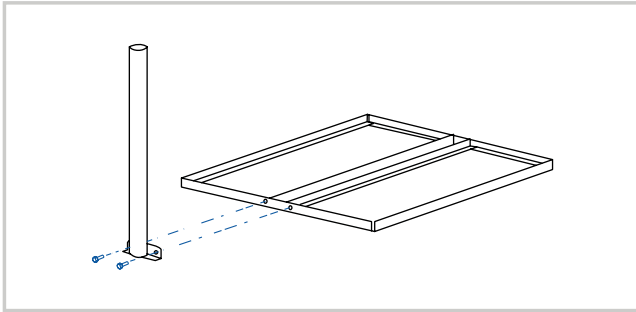
Power Supply

120 volt & solar power

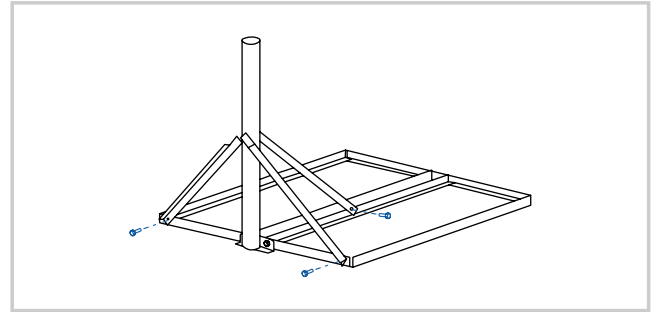
Operating Environment

Outdoor use

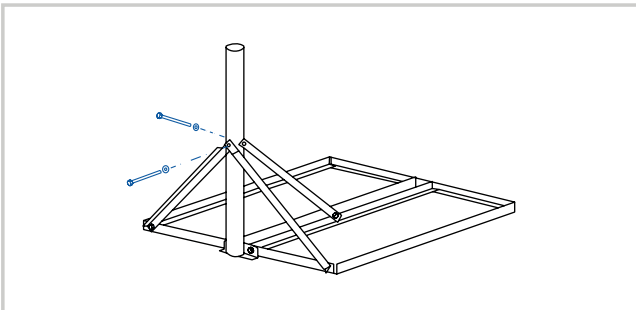
INSTALLATION



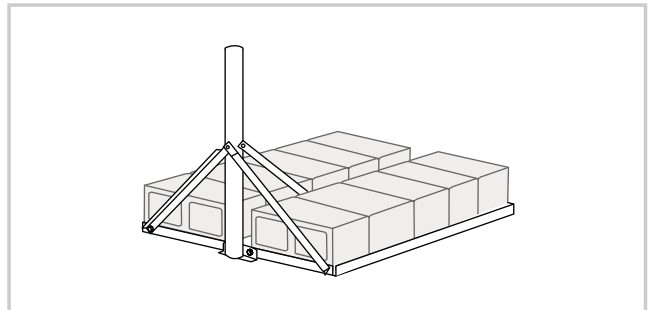
1 Attach the B3 frame assembly to the B3 mast assembly.



2 Attach the right and left brace angles (23" long) and the rear brace angle (28.25" long) to the frame with the following hardware - 3/8" x 1" bolt GR.5 (5), 3/8" Nut (5), 3/8" split-lockwasher (5).



3 Attach the right, left, and rear brace angles to the mast with the following hardware - 3/8" x 4" tap bolt GR.5 (2), 3/8" USS flatwasher (2).



4 Secure the NPRM in place with 10 cinder blocks to ensure the mast is sturdy and wind resistant.